

Textrim Installation Guide



Kestrel now supplies a textured trim board to complement its range of textured cladding and weatherboarding.

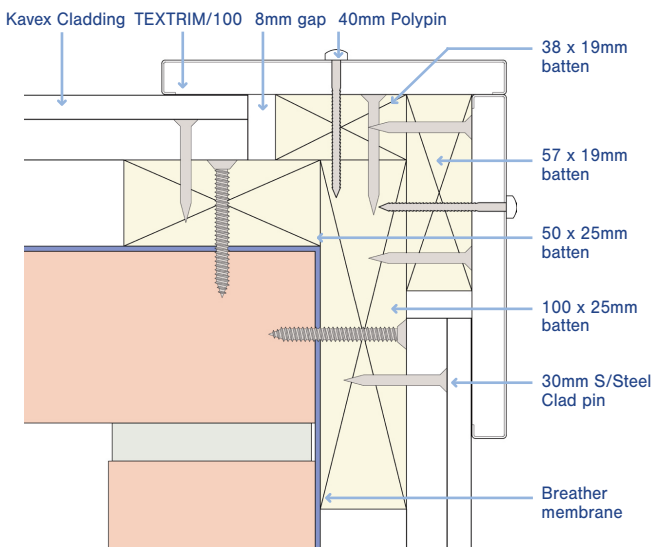
Kestrel's PVC-UE textured cladding provides a stylish and effective finish to protect and decorate the exterior of buildings – without the need for the continual and costly maintenance associated with traditional timber.

TEXTRIM can be also be used around doors and windows to give your property a distinctive look.

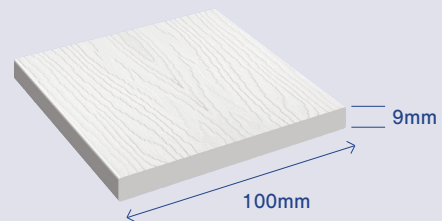
Features and Benefits

- For use on all building types including Domestic, Commercial and Industrial - new build or refurbishment
- Completely unaffected by damp, rot, decay, frost and insect attack
- Low maintenance
- Available in 100mm x 9mm single plank format for easy installation
- Lower thermal conductivity than timber, concrete, mineral fibre boards or brick (0.06 W/mK)
- Can be installed using traditional wood working skills, practices and tools
- In contrasting Warm White colour to enhance any coloured installation
- Unique wood-grain effect brings all the benefits of timber without the maintenance drawbacks
- Increased rigidity and deeper emboss than traditional thin walled Vinyl siding
- Guaranteed against defects and discolouration - 20 year guarantee

External Corner Joint



TEXTRIM/100



TECHNICAL CONSIDERATIONS - Installation

TEXTRIM is suitable for horizontal, vertical and diagonal fixing, as a decorative trim for embossed cladding installations.

It is important that the installation of TEXTRIM takes into account the thermal movement of the cladding planks and the thickness of the battens onto which they are fixed. This is achieved with a combination of 19 and 25mm preservative treated, good quality timber battens as shown in the diagrams.

Both internal and external corners use a 19 x 38mm and a 19 x 57mm batten - these are cut from a 19 x 100mm batten allowing 5mm for the cut.

TEXTRIM installation takes place by following the installation of the cladding planks.

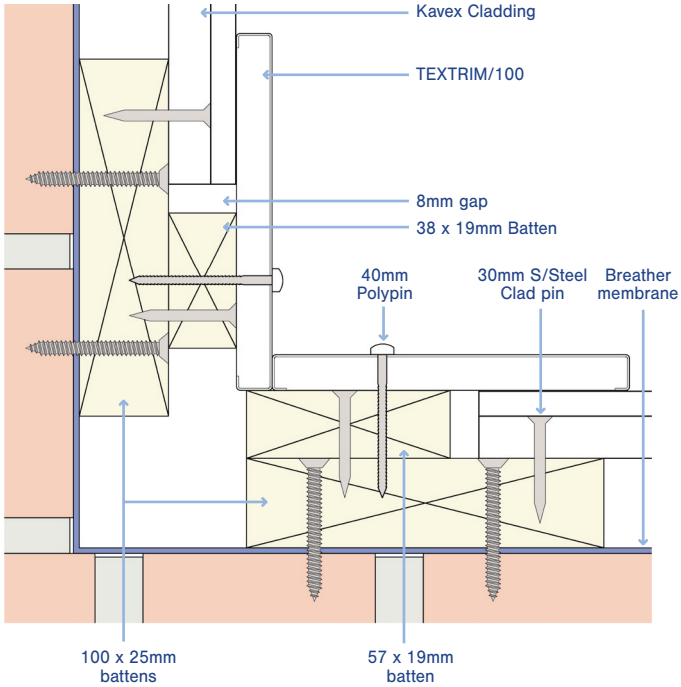
TEXTRIM is fixed using 40mm stainless steel annular ring shank pins (SS-40P-W) at maximum 300mm centres.

To avoid distortion in service, care should be taken not to install the cladding in extremes of temperature (i.e. below 5°C or above 25°C) and to allow adequate expansion gaps of 5mm per plank end for expansion.

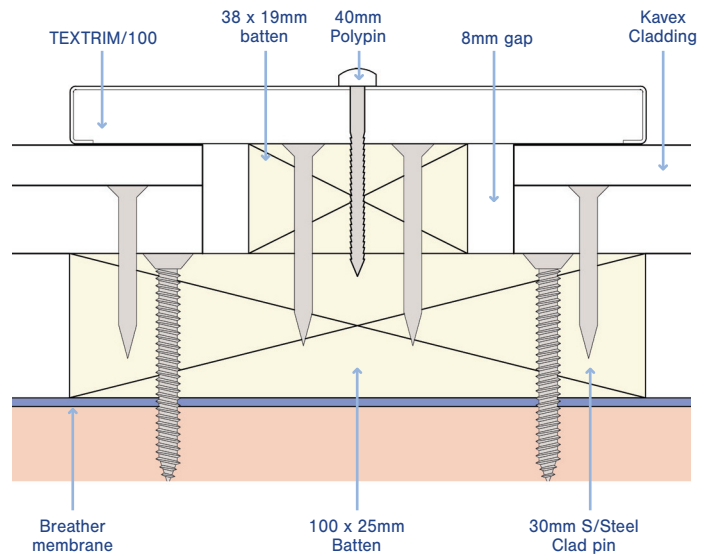
Kavex cladding must be installed to Kestrel specification; see latest Kestrel literature.

Textured Trim Installation Guide

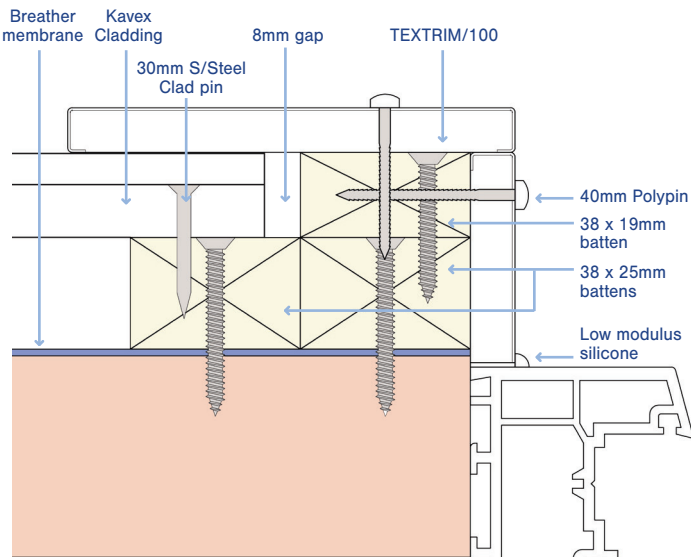
Internal Corner Joint



In-Line Butt Joint



Window Abutment Joint



www.kbp.co.uk